

QMH[®]

STAINLESS STEEL HARDWARE

<http://www.qmh-inc.com>





QMH Architectural

QMH Architectural is a sub division of Quality Marine Hardware. A leading supplier of stainless steel wire rope fittings and lifting products in the US, serving customers across the country for over 15 years.

Our quality products are manufactured from a higher grade of corrosion resistant stainless and have been used on public projects such as Caltrans headquarters in downtown L.A., University of California Los Angeles, University of California Santa Barbara, theme parks such as Universal Studio, Sea World, Cowboy stadium in Texas, high end retail shop in Hotel Caesar Palace in Las Vegas, and not to mention, our products also can be seen inside a lot of high end resident.

Whether you are an architect, contractor or metal fabricator, QMH will assist you in design and select the appropriate fitting for your next cable railing project.

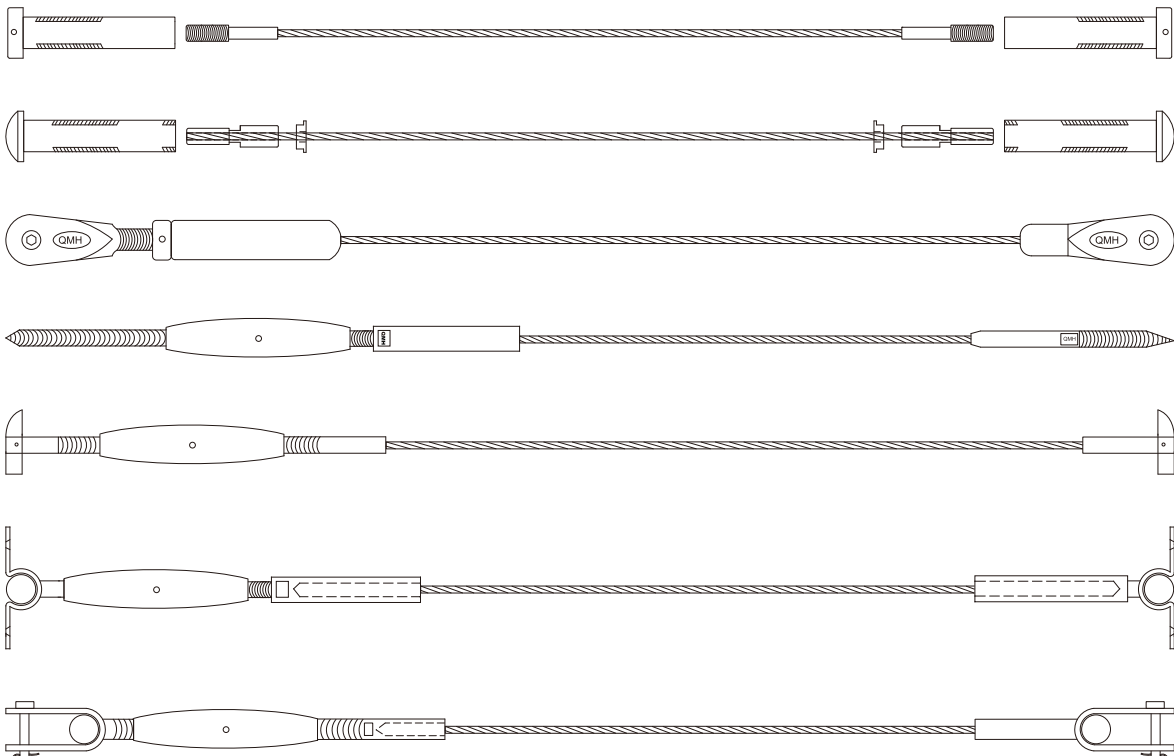


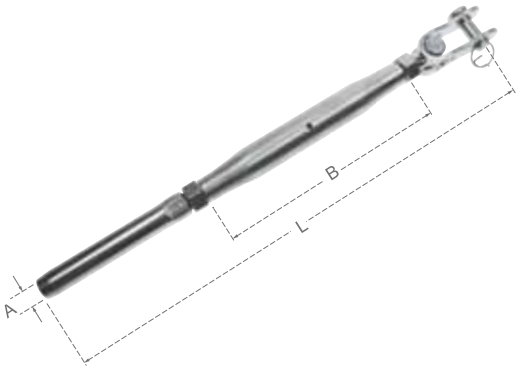
How to Design your Cable Railing System

The following elements are a guideline to help you designing your unique cable railing project.

- 1. End Post:** The most important element due to its supportive function of the tension of the cable.
The following are the most common type of post and spec.
Wood Post: The 6"x4" wood post is strongly recommended to support the tension.
Square Tube: 1/4" thickness is recommended.
Round Tube: Schedule 80 or thicker is recommended.
Angle Post: 2" wide x 1/2" thickness is recommended.
Flat Bar: 1/2" thick with double bar and bridged between 2 bars to withstand the tension.
- 2. Middle Post:** The middle post should be no more than every 4 feet for horizontal railing and 3 feet for vertical railing. Since they are just for supporting the cable, they do not require the same strength as the end post.
- 3. Hole to Drill:** It depends on the type of fittings you choose, if you use the pre-fabricated assembly by QMH, the holes should be large enough to pass thru the cable assembly on the middle post, if you choose the DIY fittings, the holes on the middle post can be smaller. In this catalog, we indicated the hole size needs to drill on each of our fittings.
- 4. Cable diameter:** Although we carry cable and fitting from 1/8" to 5/8", the most common and cost effective sizes are 1/8", 3/16" and 1/4" in residential and commercial application and fittings for larger sizes of cable will be found in our website.
- 5. Cable Type:** We offer 1x19, 7x7 and 7x19 in construction but the most suitable one is 1x19 because of its stiffness and lack of stretching, therefore is most used on cable rail application.
- 6. Cable Length:** Within 30 ft, "Tensioning End Fittings" can be used on both end, between 30-50 ft, a "Turnbuckle" is recommended at least on one end for better adjustment.
- 7. Cable Spacing:** Check with your local city for building code, we recommend to be between 1/2" to 1" less than the requirement by the code.
- 8. Cable Tension:** We recommend 350 lb of tension for each cable, therefore the strength on the end post is critical.
- 9. Machine Swage vs. Hand Swage:** Most of our fittings are machine swage, which requires a special roller machine to swage the cable into the fitting which will guarantee the safety and load limit of the assembly, however, we do offer some fittings that customers can swage at the job site with our special hand tool. Unlike the machine swage fittings, the hand swage fittings will provide between 60 to 70% of the cable strength if done properly.

However, if these are not answering your question, please give us a call and our railing expert will be more than happy to discuss any question with you.

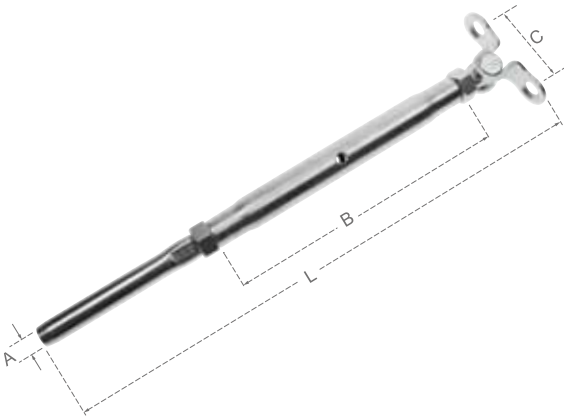




STUD & TOGGLE TURNBUCKLE

ITEM		A (Cable)	B	C	D	E	L
312S-TW-0603-HS	Hand Swage	1/8"	1/4"x3-3/4"	0.23"	0.40"	0.96"	7"
312S-TW-0605-HS	Hand Swage	3/16"	1/4"x3-3/4"	0.23"	0.40"	0.96"	7-1/8"
312S-TW-0806-HS	Hand Swage	1/4"	5/16"x4-3/16"	0.23"	0.40"	0.96"	8-1/4"
312S-TW-0603	Machine Swage	1/8"	1/4"x3-3/4"	0.23"	0.40"	0.96"	7"
312S-TW-0605	Machine Swage	3/16"	1/4"x3-3/4"	0.23"	0.40"	0.96"	7-1/8"
312S-TW-0806	Machine Swage	1/4"	5/16"x4-3/16"	0.23"	0.40"	0.96"	8-1/4"

Hand Swage Machine Swage



STUD & DECK TOGGLE TURNBUCKLE

ITEM		A (Cable)	B	C	L
312S-DW-0603-HS	Hand Swage	1/8"	1/4"x3-3/4"	1.30"	7"
312S-DW-0605-HS	Hand Swage	3/16"	1/4"x3-3/4"	1.30"	7-1/8"
312S-DW-0806-HS	Hand Swage	1/4"	5/16"x4-3/16"	1.56"	8"
312S-DW-0603	Machine Swage	1/8"	1/4"x3-3/4"	1.30"	7"
312S-DW-0605	Machine Swage	3/16"	1/4"x3-3/4"	1.30"	7-1/8"
312S-DW-0806	Machine Swage	1/4"	5/16"x4-3/16"	1.56"	8"

This turnbuckle is also called "surface mount", ideal for wood post but also can be used on metal post, it allows a 130° pivoting, ideal for stairway application.

Hand Swage Machine Swage



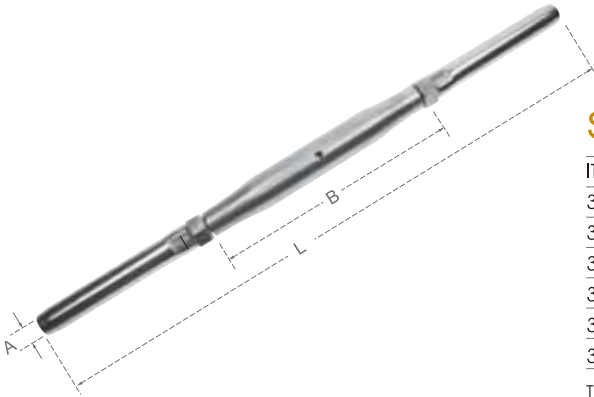
STREAMLINE ADJUSTABLE JAW

ITEM		A (Cable)	B	C	D
7818S-03	Hand Swage	1/8"	0.23"	0.58"	0.25"
7818S-05	Hand Swage	3/16"	0.23"	0.58"	0.25"

Offer to use with 7817S, this system has a very unique appearance, streamline looking and easy to install.

Hand Swage



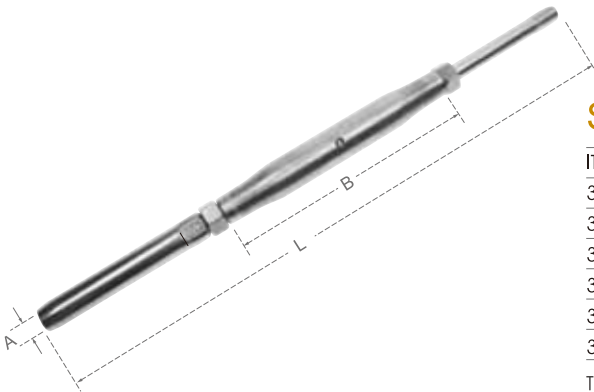


STUD & STUD TURNBUCKLE

ITEM		A (Cable)	B	L
312S-WW-0603-HS	Hand Swage	1/8"	1/4"-x3-3/4"	7-3/4"
312S-WW-0605-HS	Hand Swage	3/16"	1/4"x3-3/4"	7-3/4"
312S-WW-0806-HS	Hand Swage	1/4"	5/16"x4-3/16"	10-3/16"
312S-WW-0603	Machine Swage	1/8"	1/4"x3-3/4"	7-3/4"
312S-WW-0605	Machine Swage	3/16"	1/4"x3-3/4"	7-3/4"
312S-WW-0806	Machine Swage	1/4"	5/16"x4-3/16"	10-3/16"

This turnbuckle often to use in the middle of the cable with swage stud on both end to provide maximum adjustment.

Hand Swage Machine Swage

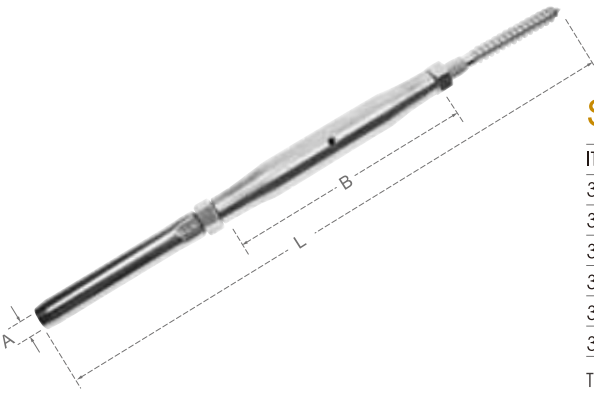


STUD & ROD TURNBUCKLE

ITEM		A (Cable)	B	L
312S-RW-0603-HS	Hand Swage	1/8"	1/4"-x3-3/4"	7-3/4"
312S-RW-0605-HS	Hand Swage	3/16"	1/4"x3-3/4"	7-3/4"
312S-RW-0806-HS	Hand Swage	1/4"	5/16"x4-3/16"	10-3/16"
312S-RW-0603	Machine Swage	1/8"	1/4"x3-3/4"	7-3/4"
312S-RW-0605	Machine Swage	3/16"	1/4"x3-3/4"	7-3/4"
312S-RW-0806	Machine Swage	1/4"	5/16"x4-3/16"	10-3/16"

This turnbuckle can be used with swage stud or turnbuckle on both end for a balance looking.

Hand Swage Machine Swage

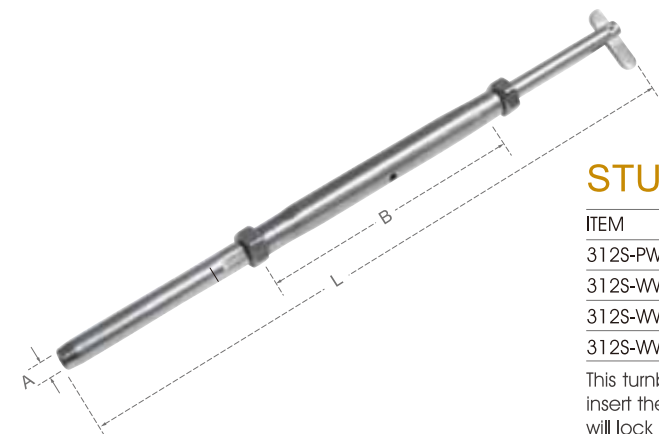


STUD & LAG TURNBUCKLE

ITEM		A (Cable)	B	L
312S-LW-0603-HS	Hand Swage	1/8"	1/4"-x3-3/4"	7-3/4"
312S-LW-0605-HS	Hand Swage	3/16"	1/4"x3-3/4"	7-3/4"
312S-LW-0806-HS	Hand Swage	1/4"	5/16"x4-3/16"	10-3/16"
312S-LW-0603	Machine Swage	1/8"	1/4"x3-3/4"	7-3/4"
312S-LW-0605	Machine Swage	3/16"	1/4"x3-3/4"	7-3/4"
312S-LW-0806	Machine Swage	1/4"	5/16"x4-3/16"	10-3/16"

This turnbuckle screws right in to wood post without drilling holes finishing up nice & clean on the post.

Hand Swage Machine Swage



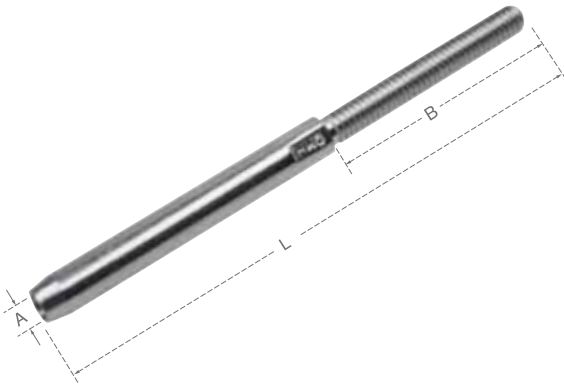
STUD & DROP PIN TURNBUCKLE

ITEM		A (Cable)	B	L	Hole To Drill
312S-PW-0603-HS	Hand Swage	1/8"	1/4"-x3-3/4"	7-3/4"	N
312S-WW-0605-HS	Hand Swage	3/16"	1/4"x3-3/4"	7-3/4"	N
312S-WW-0603	Machine Swage	1/8"	1/4"x3-3/4"	7-3/4"	N
312S-WW-0605	Machine Swage	3/16"	1/4"x3-3/4"	7-3/4"	N

This turnbuckle is ideal to use on pipe or tube, just drill the hole on the post and insert the Drop Pin terminal into the post, then make a quarter turn, the drop pin will lock inside the post.

Hand Swage Machine Swage



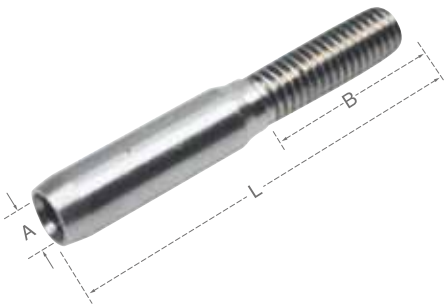


THREADED STUD

ITEM		A	B	L	Hole to Drill
7801S-HS-0603	Hand Swage	1/8"	1/4"-20x1-7/8"	3-3/4"	0.24"
7801S-HS-0605	Hand Swage	3/16"	1/4"-20x1-7/8"	4-1/4"	0.32"
7801S-HS-0608	Hand Swage	1/4"	5/16"-20x2-3/8"	5-1/2"	0.45"
7801S-0603	Machine Swage	1/8"	1/4"-20x2"	4"	0.24"
7801S-0605	Machine Swage	3/16"	1/4"-20x2"	4-1/2"	0.32"
7801S-0608	Machine Swage	1/4"	5/16"-18x2-3/8"	5-1/2"	0.45"

The most common, simple and economical fitting can be used for both end and with simple cap nut will get the job done.
Left hand thread stud also available.

Hand Swage Machine Swage



INVISI-STUD

ITEM		A	B	L
7801S-0603-INV	Hand Swage	1/8"	1/4"-20x1-3/16"	2-3/4"
7801S-0605-INV	Hand Swage	3/16"	1/4"-20x1-3/16"	2-3/4"
7801S-0608-INV	Hand Swage	1/4"	5/16"-18x1-3/16"	2-3/4"

This fitting designed to use with 7813S(the receiver), the threaded section will be hidden inside the receiver.

Hand Swage



STUD RECIEVER

ITEM	A	B	C	L
7813S-06	0.70"	1/4"-20x1"	0.38"	2-3/16"
7813S-08	0.70"	1/4"-20x1"	0.48"	2-3/16"

This receiver typically used with INVISI-STUD.



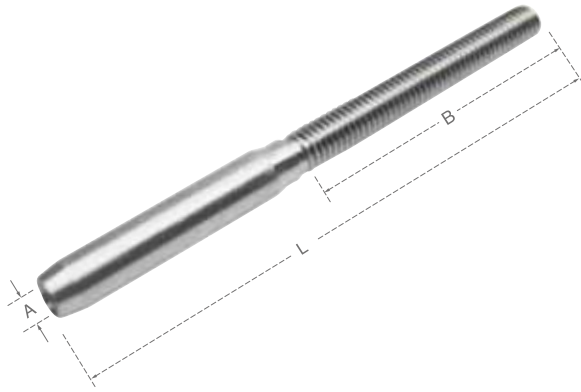
STREAMLINE RECIEVER

ITEM	A	B	C	L
7814S-03	5/8"	3/8"-16	1/2"	2-1/4"
7814S-05	5/8"	3/8"-16	1/2"	2-1/4"
7814S-06	3/4"	7/16"-14	9/16"	2-1/4"

This fitting consists in 3 parts, the receiver, inner sleeve and the cap. The sleeve will be screwed in and hidden inside the receiver giving a streamline look.

Also available for large sizes cable, please call for detail.



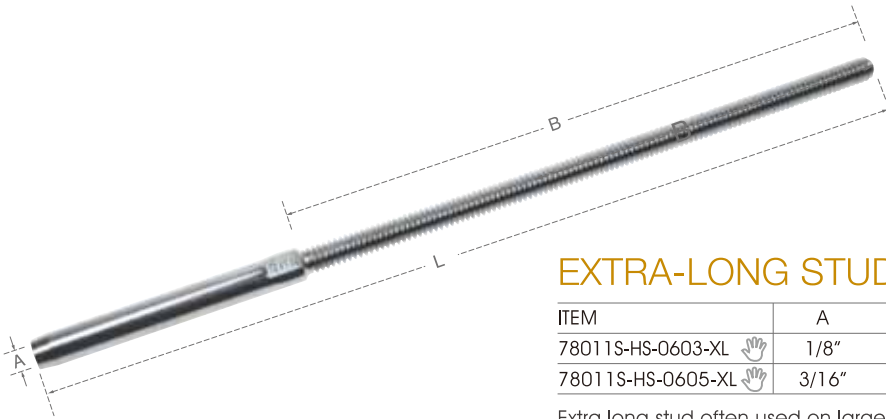


LIFELINE STUD

ITEM		A	B	L	Hole to Drill
78011S-HS-0603	👤	1/8"	1/4"-20x2-1/2"	4-1/4"	0.25"
78011S-HS-0605	👤	3/16"	1/4"-20x2-1/2"	4-1/4"	0.30"
78011S-HS-0608	👤	1/4"	5/16"-18x2-1/2"	4-3/4"	0.38"
78011S-HS-1006	⚙️	1/4"	3/8"-16X3"	5-1/4"	0.38"
78011S-0603	⚙️	1/8"	1/4"-20x2-1/2"	4-1/4"	0.25"
78011S-0605	⚙️	3/16"	1/4"-20x2-1/2"	4-1/4"	0.32"

Simple and economical fitting, using it on both ends will provide plenty of threads for tensioning.

👤 Hand Swage ⚙️ Machine Swage



EXTRA-LONG STUD

ITEM		A	B	L	Hole to Drill
78011S-HS-0603-XL	👤	1/8"	1/4"-20x5-1/2"	7-1/2"	0.25"
78011S-HS-0605-XL	👤	3/16"	1/4"-20x5-5/8"	8"	0.30"

Extra long stud often used on large size of wood post.

👤 Hand Swage



Fixed End Fittings

No adjustment by itself, often need to use with an adjustable fittings.

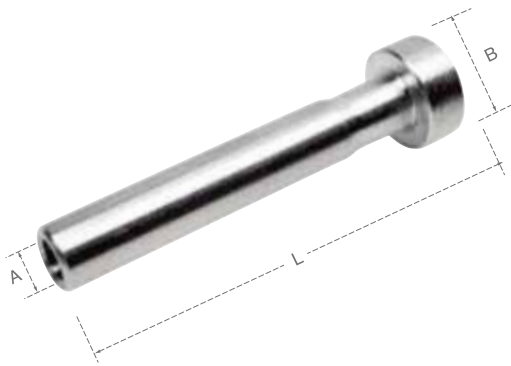


SHORT THREADED STUD

ITEM		A	B	L	Hole to Drill
7801S-HS-0603-S	👤	1/8"	1/4"-20x3/8"	2-3/8"	0.25"
7801S-HS-0605-S	👤	3/16"	1/4"-20x3/8"	2-3/4"	0.30"

Need to use with an tensioning fitting.
Could be hidden the entire fitting inside the post.

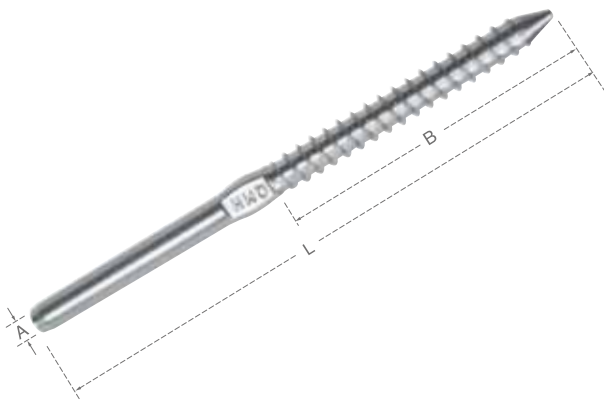
👤 Hand Swage



BUTTON SWAGE

ITEM		A (Cable)	B	L	Hole to Drill
7808S-03		1/8"	5/8"	2-1/4"	0.25"
7808S-05		3/16"	5/8"	2-3/8"	0.32"
7808S-06		1/4"	11/16"	2-13/16"	0.38"

Hand Swage Machine Swage

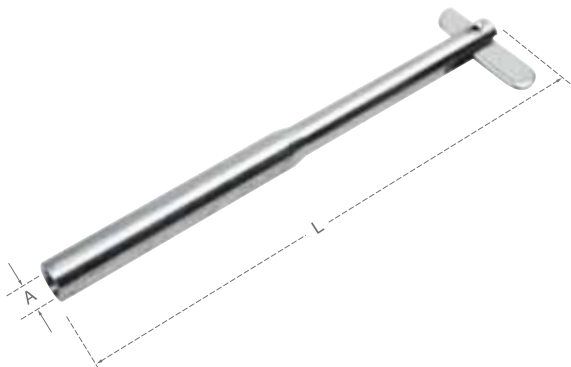


LAG SWAGE

ITEM		A	B	L
7816S-HS-03		1/8"	2"	4"
7816S-HS-05		3/16"	2"	4-5/16"

This fitting has no adjustment, need to use with Lag & Stud Turnbuckle.

Hand Swage



DROP PIN SWAGE

ITEM		A	L	Hole to Drill
7804S-03-HS		1/8"	4"	7/32"
7804S-05-HS		3/16"	4"	9/32"

This fitting has no adjustment, need to be use with Stud & Drop Pin Turnbuckle.

Easy to install, just drill the hole on the metal post or tube, insert the toggle end and make a 90° turn.

Only can be used on metal pipe or post cannot be use with wood post.

Hand Swage



STREAMLINE FIXED JAW

ITEM		A	B (Pin)	C	D	L
7817S-03		1/8"	0.23"	0.58"	0.25"	2.30"
7817S-05		3/16"	0.23"	0.58"	0.25"	2.30"

Often to pair with Streamline Adjustable Jaw, it has 180° pivoting, ideal for stair, can be used on wood post, using our lag pad eye or on metal post, using our screw pad eye.

Hand Swage

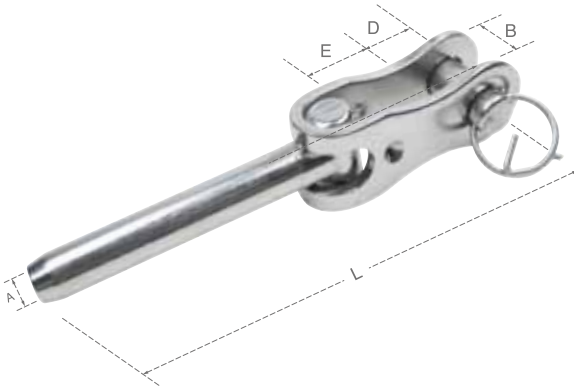


DECK TOGGLE SWAGE

ITEM		A	B	C	L
7806S-HS-03		1/8"	0.25"	1.30"	2.5"
7806S-HS-05		3/16"	0.25"	1.30"	2.75"
7806S-03		1/8"	0.25"	1.30"	2.5"
7806S-05		3/16"	0.25"	1.30"	2.75"
7806S-06		1/4"	0.32"	1.56"	3"

This fitting often to pair with Stud & Deck Toggle Turnbuckle. This allows a 130° pivoting, ideal for stairway application.

Hand Swage Machine Swage



TOGGLE SWAGE

ITEM		A	B	D	E	L
7805S-HS-03		1/8"	0.40"	0.23"	0.70"	3-3/16"
7805S-HS-05		3/16"	0.40"	0.23"	0.70"	3-3/8"
7805S-03		1/8"	0.40"	0.23"	0.70"	3-3/16"
7805S-05		3/16"	0.40"	0.23"	0.70"	3-3/8"
7805S-06		1/4"	0.50"	0.31"	0.72"	3-3/4"

This fitting often to pair with Stud & Toggle Turnbuckle. Also allows a 130° pivoting.

Hand Swage Machine Swage



QMH Trellis System



Why let the vine grow on the stucco and take the chance of damaging it. QMH trellis system is the simplest design to make the beautiful trellis where ever you desire. There are only few steps to design and install your trellis.

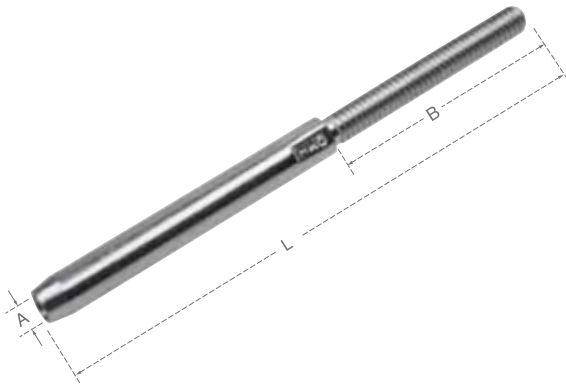
Determine the area of your trellis. For example, if you have a 5' tall x 10' wide area (see drawing below), you will need 9 vertical cables and 4 horizontal cables (1' grid is recommended).

Drill 5/16" hole to accept the drop-in anchor around the area where each cable starts and ends.

After inserting the anchor into the hole, screw the backing washer into the eyebolt and screw the eyebolt into the wall.

Once all the eyebolts are installed, install the vertical cable assembly by tightening the nut on both end, then weave the horizontal cable around the vertical cable (or vise versa).

After all the cables are tighten, apply the thread lock on each nut and finish up with a cap nut and you are ready to grow your beautiful vine.



THREADED STUD

ITEM		A	B	L	Hole to Drill
7801S-HS-0603	Hand Swage	1/8"	1/4"-20x1-7/8"	3-3/4"	0.24"
7801S-HS-0605	Hand Swage	3/16"	1/4"-20x1-7/8"	4-1/4"	0.32"
7801S-HS-0608	Hand Swage	1/4"	5/16"-20x2-3/8"	5-1/2"	0.45"
7801S-0603	Machine Swage	1/8"	1/4"-20x2"	4"	0.24"
7801S-0605	Machine Swage	3/16"	1/4"-20x2"	4-1/2"	0.32"
7801S-0608	Machine Swage	1/4"	5/16"-18x2-3/8"	5-1/2"	0.45"

The most common, simple and economical fitting can be used for both end and with simple cap nut will get the job done. Left hand thread stud also available.

Hand Swage Machine Swage



DOME NUT

ITEM	THREADS
3072S-A-06	1/4"-20 RH
3072S-A-06-L	1/4"-20 LH
3072S-A-08	5/16"-18 RH
3072S-A-08-L	5/16"-18 LH



EYE BOLT

ITEM	A	B	L
444S-A-1080	3/8"-16	2"	3-1/4"
444S-A-10100	3/8"-16	3-3/16"	4"
444S-A-10120	3/8"-16	4"	4-3/4"

CROSS CABLE CLIP

ITEM	A (Wire)	B	L
263S-03	1/8"	3/4"	7/8"
263S-05	3/16"	3/4"	7/8"
263S-06	1/4"	3/4"	1"



BACKING WASHER

ITEM	A	B	L
30735S-10	3/8"-16	1/4"	2"



QMH

Trellis System

Accessories



HEX NUTS

ITEM	THREADS
3071S-A-06	1/4"-20 RH
3071S-A-06-L	1/4"-20 LH
3071S-A-08	5/16"-18 RH
3071S-A-08-L	5/16"-18 LH



BUTTON END

ITEM	THREADS	B
7405S-A-06	1/4"-20 RH	5/8"
7405S-A-06-L	1/4"-20 LH	5/8"
7405S-A-08	5/16"-18 RH	11/16"
7405S-A-08-L	5/16"-18 LH	11/16"



DOME NUT

ITEM	THREADS
3072S-A-06	1/4"-20 RH
3072S-A-06-L	1/4"-20 LH
3072S-A-08	5/16"-18 RH
3072S-A-08-L	5/16"-18 LH



BALL END

ITEM	THREADS	B
6405S-A-06	1/4"-20 RH	5/8"
6405S-A-06-L	1/4"-20 LH	5/8"
6405S-A-08	5/16"-18 RH	11/16"
6405S-A-08-L	5/16"-18 LH	11/16"



CROSS CABLE CLIP

ITEM	A (Wire)	B	L
263S-03	1/8"	3/4"	7/8"
263S-05	3/16"	3/4"	7/8"
263S-06	1/4"	3/4"	1"



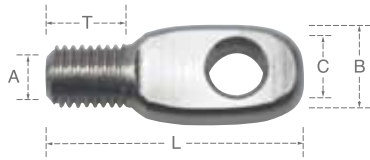
FLAT WASHER

ITEM	A	B
3073S-A-06	1/4"	1/2"
3073S-A-08	5/16"	5/8"



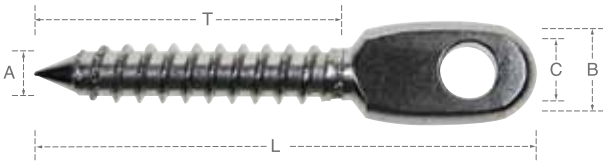
ANGLE WASHER

ITEM	A	B
30731S-A-06	1/4"	5/8"
30731S-A-08	5/16"	11/16"
30731S-A-10	3/8"	11/16"
30731S-A-13-SL	1/2"	5/8"



TAP EYE

ITEM	A	B	C	L	T
309S-08	5/16"-18	0.50"	0.25"	1.25"	0.38"
309S-0875	5/16"-18	0.50"	0.25"	3.80"	3.00"



LAG TAP EYE

ITEM	A	B	C	L	T
309S-08-LAG	5/16"-Lag	0.50"	0.25"	2.30"	1.50"



SINGLE END SHELF CLAMP

ITEM	CABLE SIZE	A	O.D.	L
9003S-03	1/8"	3/8"	5/8"	1/2"



DOUBLE END SHELF CLAMP

ITEM	CABLE SIZE	A	O.D.	L
9004S-03	1/8"	3/8"	5/8"	1/2"

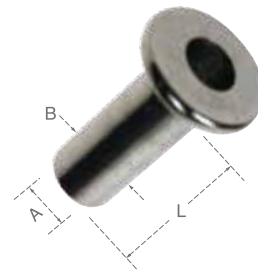
Accessories





BACKING WASHER

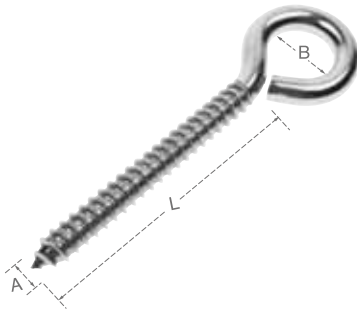
ITEM	A	B	L
30735S-10	3/8"-16	1/4"	2"



PROTECTIVE SLEEVE

ITEM	A	B	C	L
7004S	0.21"	0.275"	0.50"	0.70"

This protective sleeve will prevent the stainless cable cut into the wood post. This same size sleeve will work for 1/8" & 3/16" cables.



LAG EYE BOLT

ITEM	A	B	L
3193S-6100	1/4" Lag	0.50"	4"
3193S-875	5/16" Lag	0.64"	3"
3193S-8125	5/16" Lag	0.64"	5"
3193S-1075	3/8" Lag	0.64"	3"



EYE BOLT

ITEM	A	B	L
444S-A-1080	3/8"-16	2"	3-1/4"
444S-A-10100	3/8"-16	3-3/16"	4"
444S-A-10120	3/8"-16	4"	4-3/4"



SHOULDER EYE BOLT

ITEM	A	B	C
307S-6100	1/4"	4"	9/16"
307S-6150	1/4"	6"	9/16"
307S-8100	5/16"	4"	3/4"
307S-10100	3/8"	4"	1"
307S-10150	3/8"	6"	1"



THREADLOCKER

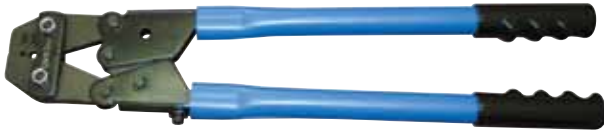
ITEM	VOLUM
7700S-08	8 ml
7700S-35	35 ml

Highly recommend the use of thread locker on all threaded fitting for cable rail. Thread locker will prevent fitting loosen up from the time and vibration. Just apply a drop or two on the thread be for tighten the nut.



CABLE CUTTERS

ITEM	SIZE	L
22-WRC-075-TWN	UP TO 3/16"	7-1/2"
22-WRC-13-TWN	UP TO 1/4"	13"
22-WRC-24-TWN	UP TO 3/8"	24"



QMH SWAGE TOOL

ITEM	SIZE	L
22-QMH-20	1/8"-3/16"	20"
22-QMH-22	1/4"	20"

Designed specially to use on all QMH's hand swage terminals. Using other swage tool may result cable pulled out from the terminals.



CABLE GRIPPER

ITEM	SIZE	L
22-QMH	1/8", 3/16", 1/4", 5/16"	8"

This tool is designed for cable rail installation, grip the cable can avoid spinning while tightening nuts.

Maintenance

How to Maintenance the Stainless Steel Cable

Stainless steel is corrosion resistant because of its protective chromium oxide film on the surface. Regular maintenance is required to keep excellent luster and durability. In a lot of applications, stainless can last for many years but NEVER RUST or stain free.

Therefore, proper maintenance will keep the cable in its best condition for many years to come, even when exposed to marine environments or exposed to corrosive elements.

The following are our recommendations:

- Clean the cable with stainless or metal cleaner; Do not use mineral acids or bleaches.
- Do not use sand paper or steel wool to polish the cable or fitting, use fabric or synthetic Scotch pad.
- Do not leave the stainless cable or fitting in contact with steel, iron or other metal because it can cause rust spots.
- Remove any stains or rust spots right away with soap and warm water or our QMH Rust-Away or similar cleaner.
- Outdoor, humid or coastal areas apply a light coat of fluid film such as our QMH Passi-Plus are recommended on the cable and fittings to prevent the corrosion.
- Periodically inspect the cable tension for safety, re-tension the cable assembly as necessary.
- We strongly recommend during the installation, apply few drop of Thread Locker on all the threaded joint to prevent the cable getting loose by the time.



QMH PASSI-PLUS™

High quality of nature ingredients formulated to protect stainless and other metal surface from moisture and harsh environment that could lead stain or spot on the stainless. Recommend to apply on the cable and fittings few times a year depending on the environment.



RUST-AWAY™

High quality of nature ingredients formulated to remove the rust or stain left from the moisture and harsh environment.



QUALITY MARINE HARDWARE

HEADQUARTERS:

5001 LINDSAY COURT CHINO, CA. 91710

Tel. 909.548.2884 , 888.335.6888

Fax. 909.548.2894

EAST COAST SALES OFFICE:

183 COLUMBIA RD., HANOVER, MA 02339 #21

Tel. 781.312.7242

Fax. 781.312.7244

www.qmh-inc.com

www.qmharchitectural.com

Photos, drawings and logo not to be reproduced without the
express written consent of QMH,INC.
© 2013 QMH Inc. All Rights Reserved.

A large, semi-transparent watermark of the QMH logo is positioned in the bottom right corner of the page. The logo features the letters "QMH" in a bold, sans-serif font, with the "Q" being significantly larger and more stylized than the "M" and "H". The watermark is set against a dark blue background that matches the overall page color.